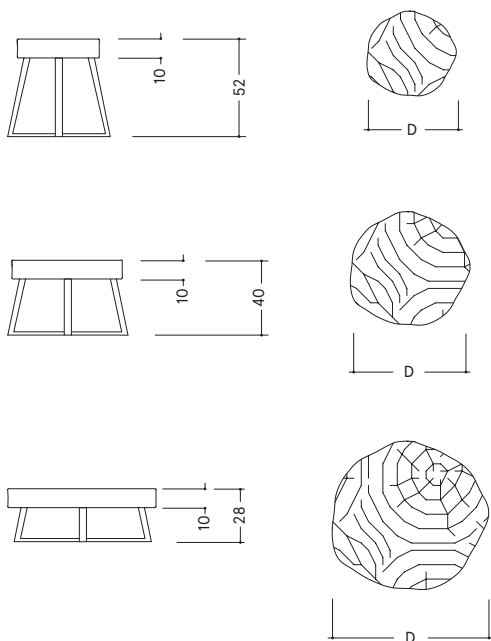


## Rondo

# SK 10



Rondo is made from a single trunk and impresses through its individual beauty. Just like a person's fingerprint, every Rondo is unique. Enhanced by Stefan Knopp's special surface treatment, it enriches any room as a side table or object of art.



#### TABLE TOP MATERIAL

oak, ash and beech

#### FIRE CHARRED SURFACES

Colours	COAL	black
	LAVA	grey
	SILVER	silver
	EARTH	brown

#### WATER WASHED SURFACES

Colours	CHALK	white
	SAND	nature
	OLIVE	olive
	MUD	mud

#### METAL PIGMENTED SURFACES

Colours	GOLD	gold
	PLATIN	platin
	BRONZE	bronze
	GRAPHIT	graphit

#### STANDARD FRAME

Star base raw steel

Star base brass

#### DIMENSIONS (DIAMETER x HEIGHT)

50 – 60 x 28 / 40 / 52 cm

60 – 70 x 28 / 40 / 52 cm

70 – 80 x 28 / 40 / 52 cm

80 – 90 x 28 / 40 / 52 cm

90 – 100 x 28 / 40 / 52 cm

#### INFORMATION

In addition to the models and designs listed here,  
we will of course be happy to create an individual table for you.  
Get in touch anytime.